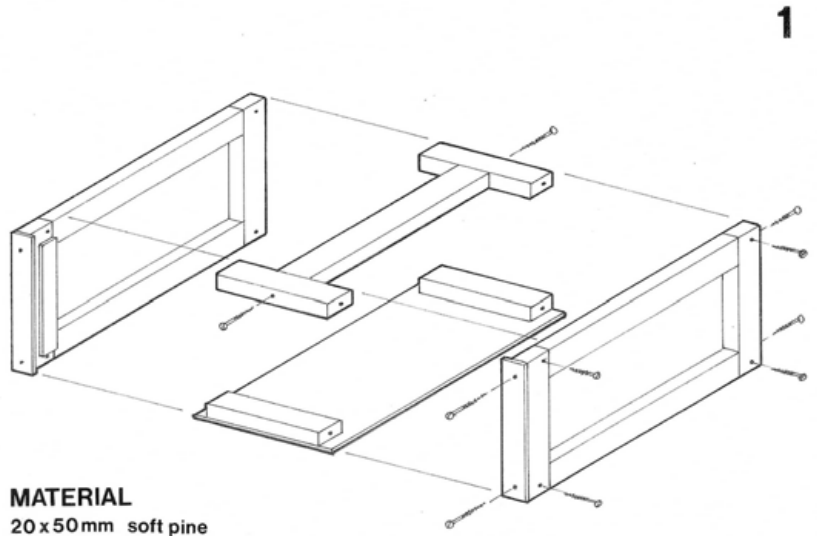


## MANUAL CAT TRAP CONSTRUCTION

This trap is useful for catching a particular cat or a mother with her kittens.

The pull cord can be as long as you like, but test it beforehand to make the door shuts firmly.

**Material:** stainless steel or galvanised wire mesh



**MATERIAL**  
20 x 50 mm soft pine  
6 mm marine ply

